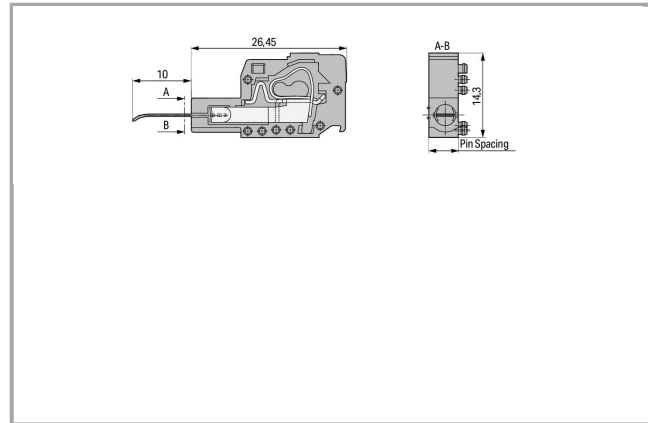
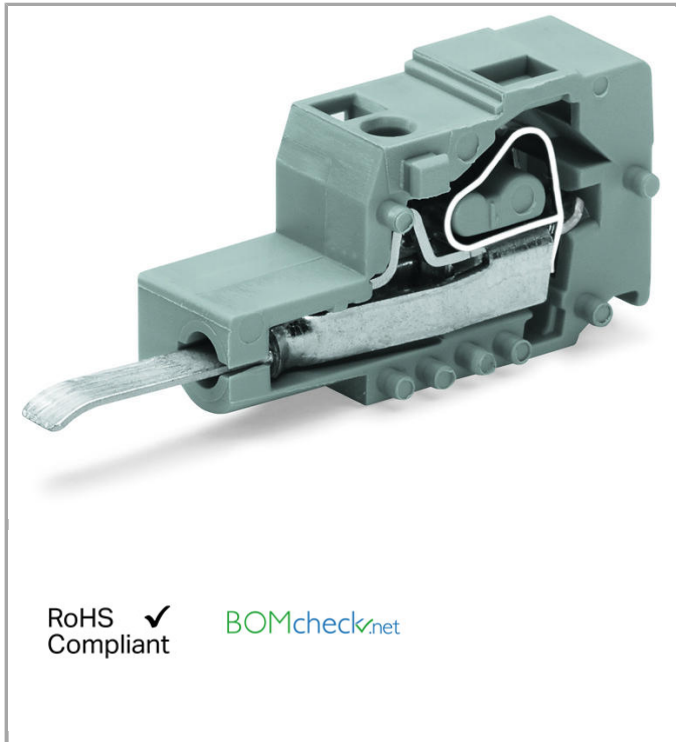


Data sheet | Item number: 231-161

Testing plug module with contact stud; for 236 Series; Pin spacing 7.5 mm / 0.295 in



231-161



Data

Electrical data

Ratings per IEC/EN 60664-1

| | |
|---------------------------------|--------|
| Rated voltage (III / 2) | 250 V |
| Rated impulse voltage (III / 2) | 2.5 kV |
| Rated current | 0.5 A |

Connection data

| | |
|-----------------------------------|--|
| Connection technology | CAGE CLAMP® |
| Solid conductor | 0.08 ... 2.5 mm ² / 28 ... 12 AWG |
| Fine-stranded conductor | 0.08 ... 2.5 mm ² / 28 ... 12 AWG |
| Strip length | 12 ... 13 mm / 0.47 ... 0.51 inch |
| Total number of connection points | 1 |
| Total number of potentials | 1 |
| Number of connection types | 1 |

Geometrical Data

| | |
|-------------|-----------------------|
| Pin spacing | 7.5 mm / 0.295 inch |
| Width | 7.5 mm / 0.295 inch |
| Height | 14.3 mm / 0.563 inch |
| Depth | 36.45 mm / 1.435 inch |

Mechanical data

| | |
|---------------------|-------|
| Test contact length | 10 mm |
|---------------------|-------|

Material Data

| | |
|-----------------------------|--|
| Color | gray |
| Material group | I |
| Insulating material | Polyamide 66 (PA 66) |
| Flammability class per UL94 | V0 |
| Clamping spring material | Chrome nickel spring steel (CrNi) |
| Contact material | Electrolytic copper (E _{Cu}) |
| Contact plating | tin-plated |
| Fire load | 0.034 MJ |
| Weight | 2.3 g |

Environmental Requirements



| | |
|-------------------------|-----------------|
| Limit temperature range | -60 ... +105 °C |
|-------------------------|-----------------|

Commercial data

| | |
|--------------------|------------------------|
| Product Group | 3 (Multi Conn. System) |
| Country of origin | DE |
| GTIN | 4045454193652 |
| Customs Tariff No. | 85366990990 |

Compatible products

tools

| | | |
|--|---|---------|
|  | Item no.: 210-657 Operating tool with partially insulated shaft; Blade (3.5 x 0.5) mm; short | 210-657 |
|  | Item no.: 210-720 Operating tool with partially insulated shaft; Type 2, blade (3.5 x 0.5) mm | 210-720 |

End plate

| | | |
|--|---|---------|
|  | Item no.: 231-100 End plate; 1.5 mm thick | 231-100 |
|--|---|---------|



Subject to changes.